

TrendWall™

Aluminium Post



THE HIGH PERFORMER

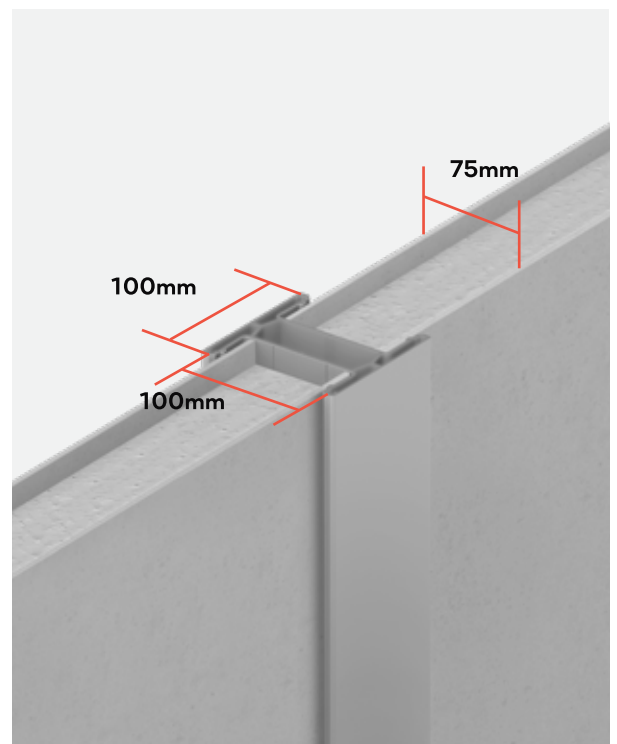
FEATURES

- Acoustic wall solution offering proven results
- Near flush finish across post and panel profile
- Extruded from high grade structural aluminium support posts and trims
- Endless design possibilities with the incorporation of lights, gates and slat infills.
- Available to heights of 3000mm
- Can retain up to 750mm of soil (2.5kPa surcharge live loads) with the TrendWall retaining panel

TrendWall is our sleek, high-performance premium fence for people who want more. Offering taller heights, higher acoustic and retaining capabilities and corrosive-resistant aluminium posts, TrendWall is highest performing fence on the Australian market.

Perfect for:

- Privacy fences and visual screens
- Tall fences (up to 3m high)
- Acoustic fences
- Fencing with integrated retaining
- Coastal or poolside applications



MODULAR WALLS®

TECHNICAL SPECIFICATIONS

	Thickness	Post Type	Density	Rw	Fire Class†	Max Wall Height	Post Centres	Wind Regions
AcustiMax75	75mm	Aluminium	15.47kg/m ²	28	BAL29	3000mm	2450mm	A, B & C
TerraFirm Retaining Panel	75mm	Aluminium	15.90kg/m ²	28	BAL29	750mm Retaining (2.5kPa surcharge live loads)	2420mm	A, B & C

ANCILLARY OPTIONS

WALL FINISHING (Acrylic Paint)

The system will accept any self-priming acrylic paint (no additional primers needed). Each neighbour can finish their side to select their individual style and colour theme.



SLATS & INFILLS

Add a designer edge to any wall, with varying height slat or infill options.



LIGHTING

The wall panels have internal recesses to accept concealed cables for lighting or intercom style requirements.



PANEL GATES

Available in custom sizes that seamlessly match the style of your TrendWall.



LETTERBOXES

Incorporate most styles of letterboxes or utilise our own Stainless Steel faced modular box.

